



GREENE TREE ENERGY

GREEN TECH FOR COMMUNITIES

Smart Renewables

Intelligent hybrid solutions for a cleaner, more sustainable future



Wind

Efficient, low noise wind turbines that perform in real-world conditions



Solar

High performance solar solutions designed for maximum energy generation.



Battery

Smart storage systems that capture more, so you can rely on clean energy

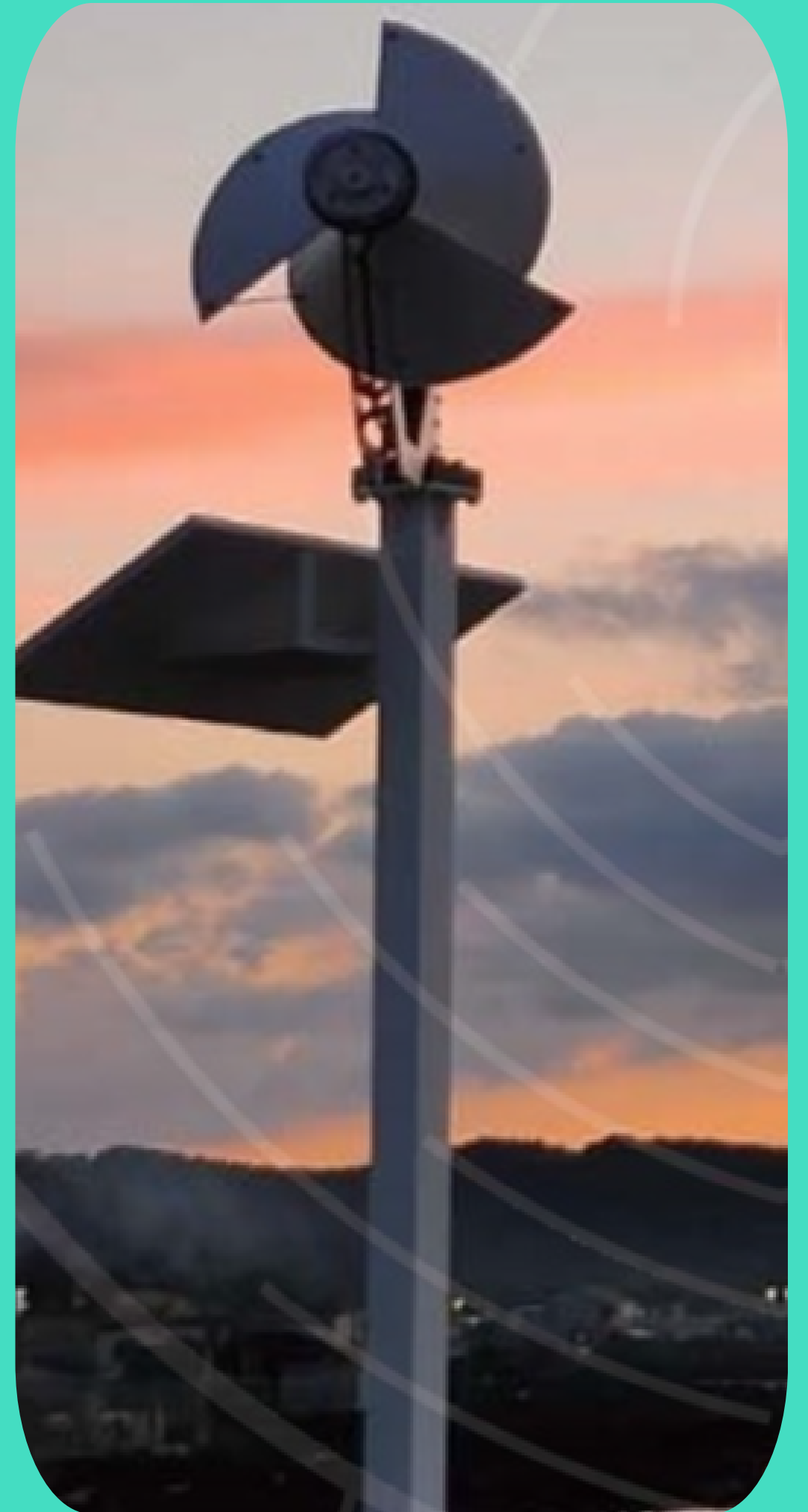


Hybrid

Integrated hybrid systems that optimise energy creation and reduce costs

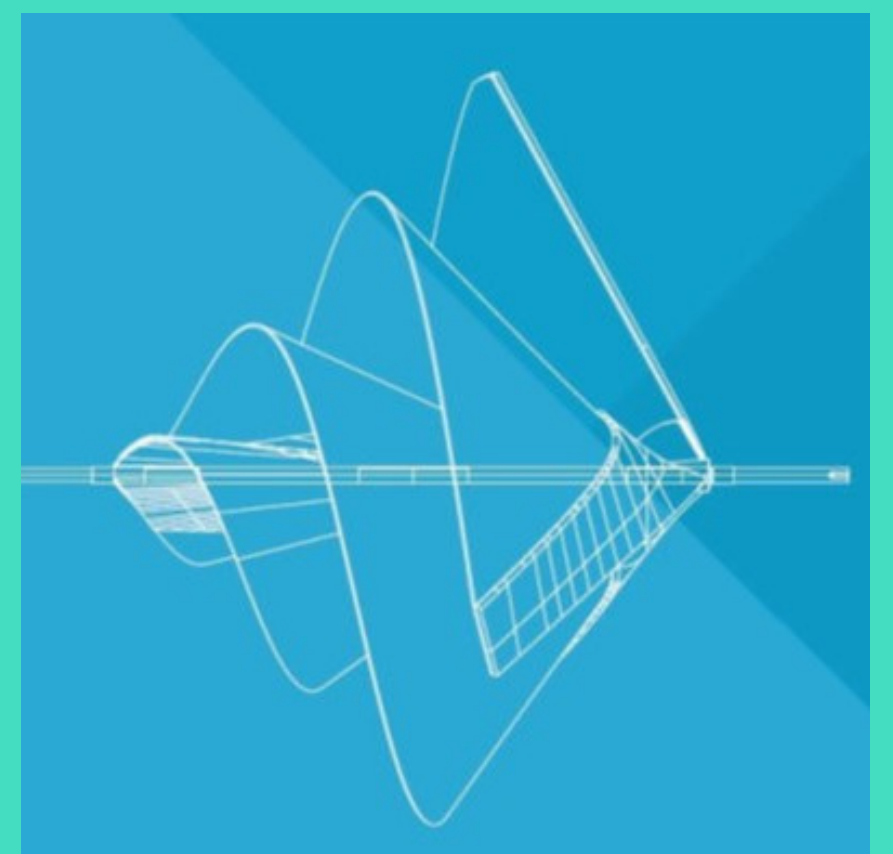
United Kingdom Distributor for the Archimedes AWM Wind Turbine

AWM-1500D: 1.5m diameter, 550W rated / 700W max. Perfect for homes and farms. All models are CE certified with international patents.



Energy That Empowers

- Reduce energy costs
- Cut carbon emissions
- Increase energy independence
- Modular design for fast implementation
- Compact design for low impact on the horizon.



Be inspired to take control of your future. Contact Greene Tree Energy today for pricing and installation.

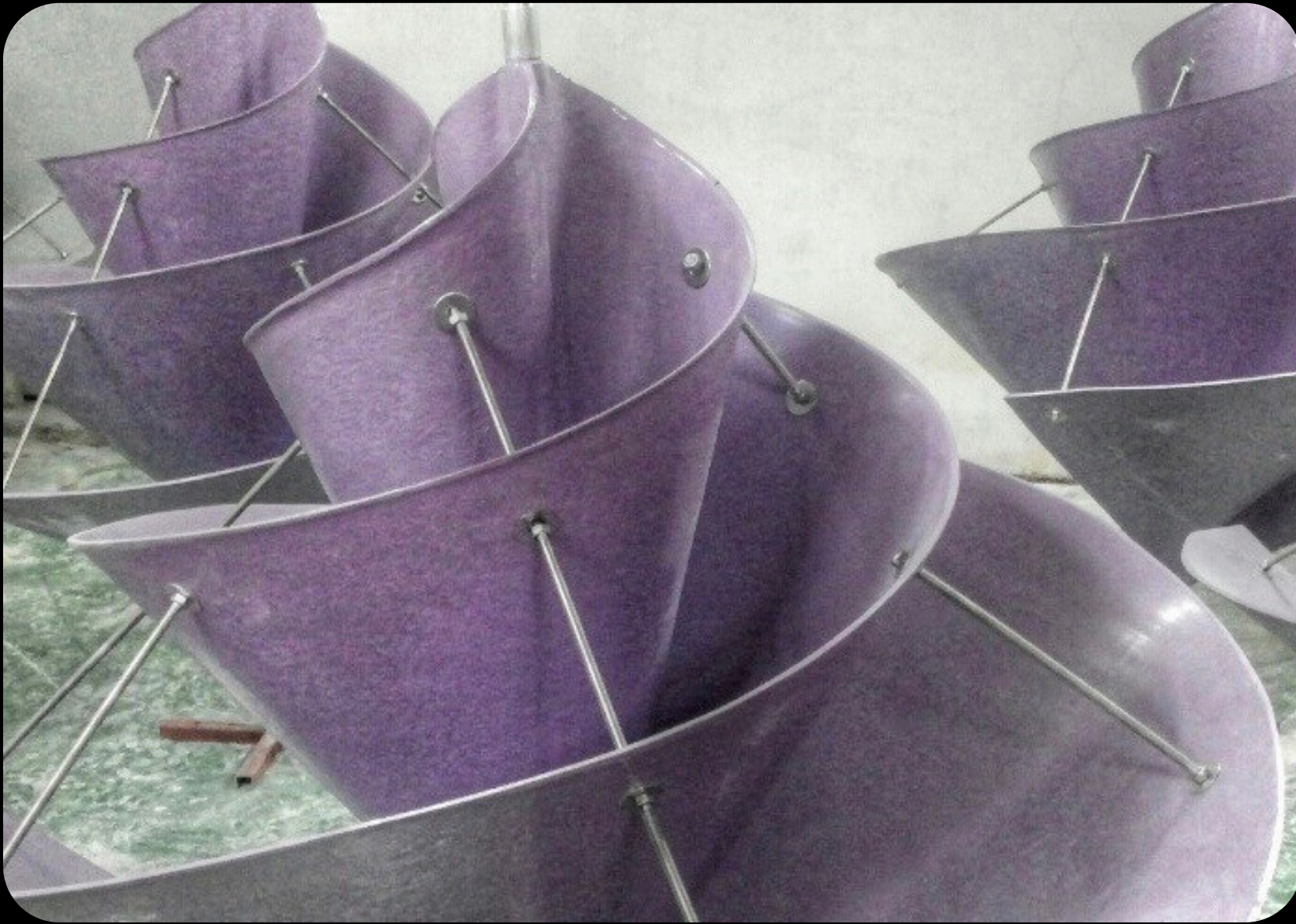
info@greentree.co.uk
+44 (0)7535 975102
www.greentree.co.uk





GREENE TREE ENERGY

GREEN TECH FOR COMMUNITIES



Renewable Solutions

The Archimedes Wind Turbine

Converts up to 80% of extractable wind energy into electricity — matching the world's top-performing systems. Unlike conventional turbines, its unique design self-aligns like a weather vane, capturing wind from any direction without manual adjustment.



Solar Energy Solutions

State-of-the-art solar PV systems for homes and businesses. Integrates seamlessly with wind and battery storage for maximum renewable yield.



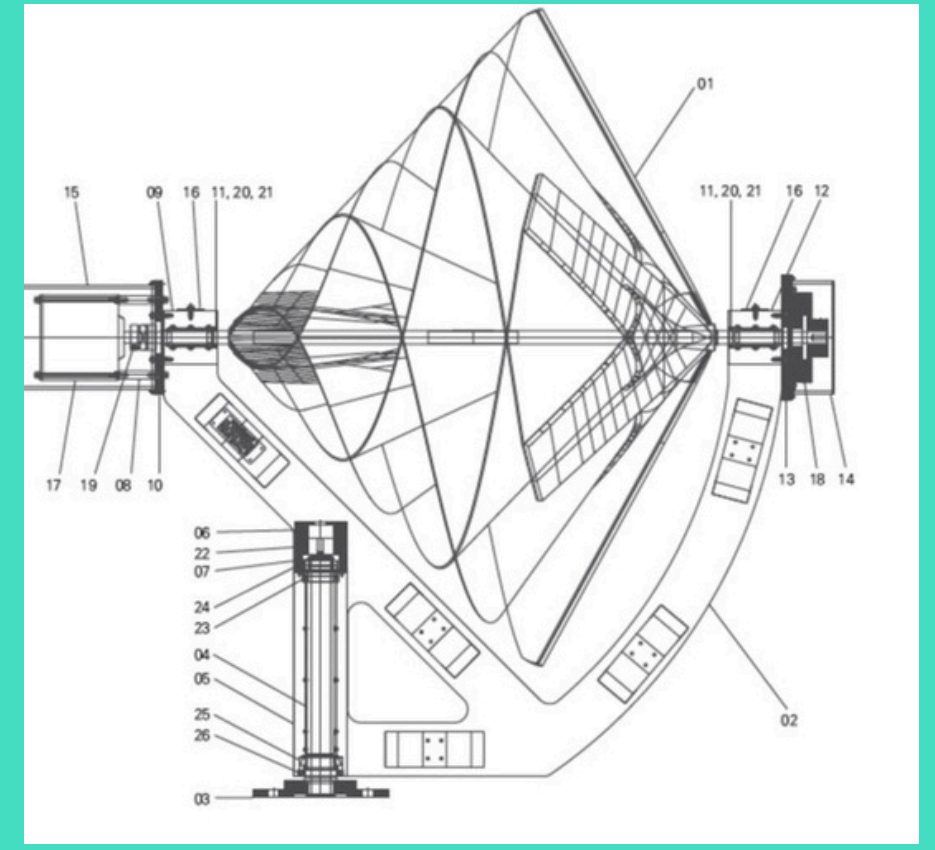
Battery Storage Systems

Advanced high-capacity battery technology for safe, scalable energy storage. Enables energy security, cost reduction, and effective load shifting. Integrates with solar and wind setups.



Hybrid Wind / Solar / Battery Storage Systems

Tailored solutions combining solar PV and Archimedes wind turbines for homes, farms, off-grid projects, and commercial sites. Maximise reliability and renewable yield.



Archimedes AWM 1500D

Power

Rated: 700W

Maximum: 1000W

Operating: 0.9m/s (Cut in 3m/s)

WIND SPEED

Rated: 12m/s

Cut Out: 14m/s

Survival: 50m/s

BLADE RPM

Rated: 330

Cut Out: 400

SIZE

1.50m(W) x 1.90m(L) x 1.75m(H)

WEIGHT

120 kGS

CONTROL SYSTEM

MTTP Control with Auto and Manual Breaking System.

All turbines are CE certified and tested to international standards. 2-year manufacturer warranty included with every installation.



We design, install and support smart renewable energy systems that deliver long-term value for communities, businesses and the environment.

LET'S BUILD A CLEANER FUTURE TOGETHER.



info@greentree.co.uk

+44 (0)7535 975102

www.greentree.co.uk